



**"WE MAKE THE KITCHEN BETTER!"**

Toll Free: 855-855-0399 Email: info@atosausa.com  
www.atosa.com | www.atosausa.com  
California, Colorado, Florida, Georgia, Illinois,  
New Jersey, Ohio, Texas, Washington

**MODELS:**  
MSF8301GR / MSF3610GR  
MSF8302GR / MSF8303GR / MSF8304GR

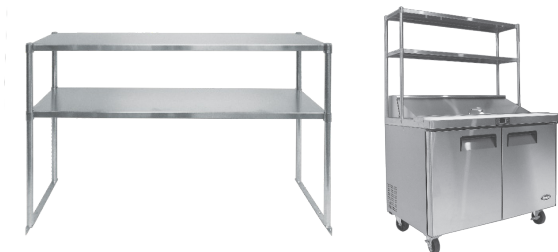
# Standard Top Sandwich Prep Tables

## Standard Features

- Stainless steel exterior & interior
- Rear mount compressor with environmentally friendly R290 refrigerant
- Dixell digital controller
- Maintains temperatures between 33°F - 40°F
- Pre-installed 4" deep stainless steel pans
- 10" cutting board
- Recessed door handle(s)
- Self-closing door(s) with stay open feature
- Magnetic door gasket(s) standard for positive door seal
- One(1) pre-installed shelf per section
- Pre-installed casters

## Optional Accessories

- Double overshelf for 48", 60" and 72" models



For the best results of food preservation we recommend setting your refrigerator between 33 °F to 38 °F

1. Don't forget to leave the unit some room to breathe!
2. Please clean the condenser frequently to give the unit more fresh air.



**MSF8301GR**



**MSF3610GR**



**MSF8302GR**



**MSF8303GR**



**MSF8304GR**



2 YEAR PARTS AND LABOR WARRANTY (US ONLY)  
5 YEAR COMPRESSOR PART WARRANTY (US ONLY)





**"WE MAKE THE KITCHEN BETTER!"**

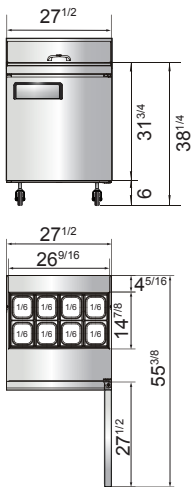
Toll Free: 855-855-0399 Email: info@atosausa.com  
 www.atosa.com | www.atosausa.com  
 California, Colorado, Florida, Georgia, Illinois,  
 New Jersey, Ohio, Texas, Washington

## SPECIFICATIONS

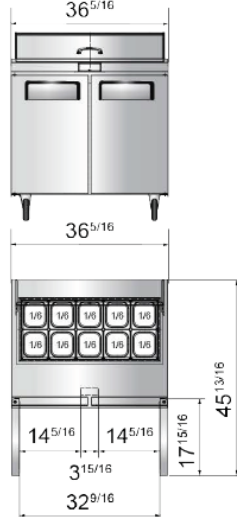
| Models    | Door | Capacity (Cu.Ft.) | Shelves | Casters (inch) | Amps (A) | Voltage (V/Hz/Ph) | HP  | Refrigerant | Exterior Dimensions (inch)  | Net Weight (lbs) | Gross Weight (lbs) |
|-----------|------|-------------------|---------|----------------|----------|-------------------|-----|-------------|---|------------------|--------------------|
| MSF8301GR | 1    | 7.2               | 1       | 5              | 2.3      | 115/60/1          | 1/7 | R290        | 27 <sup>1</sup> / <sub>2</sub> ×30×44 <sup>3</sup> / <sub>10</sub>  | 159              | 196                |
| MSF3610GR | 2    | 8.7               | 2       | 5              | 2.3      | 115/60/1          | 1/7 | R290        | 36 <sup>5</sup> / <sub>16</sub> ×30×44 <sup>3</sup> / <sub>10</sub> | 173              | 227                |
| MSF8302GR | 2    | 13.4              | 2       | 5              | 2.3      | 115/60/1          | 1/7 | R290        | 48 <sup>1</sup> / <sub>5</sub> ×30×44 <sup>3</sup> / <sub>10</sub>  | 231              | 276                |
| MSF8303GR | 2    | 17.2              | 2       | 5              | 2.8      | 115/60/1          | 1/5 | R290        | 60 <sup>1</sup> / <sub>5</sub> ×30×44 <sup>3</sup> / <sub>10</sub>  | 271              | 320                |
| MSF8304GR | 3    | 21.1              | 3       | 5              | 2.8      | 115/60/1          | 1/5 | R290        | 72 <sup>7</sup> / <sub>10</sub> ×30×44 <sup>3</sup> / <sub>10</sub> | 317              | 379                |

## PLAN VIEW

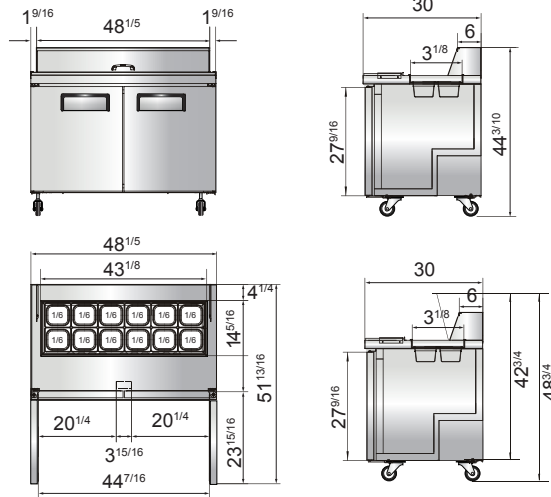
**MSF8301GR**



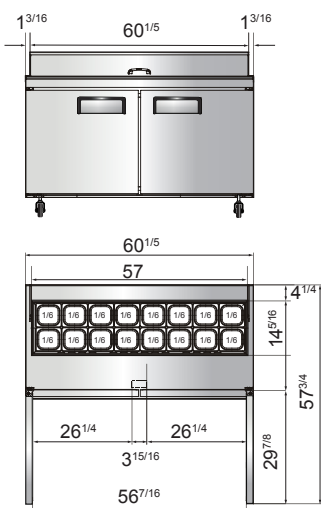
**MSF3610GR**



**MSF8302GR**



**MSF8303GR**



**MSF8304GR**

