

GAS GRIDDLE

Project _____ Date _____ Models **GCP15, GCP24, GCP36, GCP48** Item# _____ Quantity _____



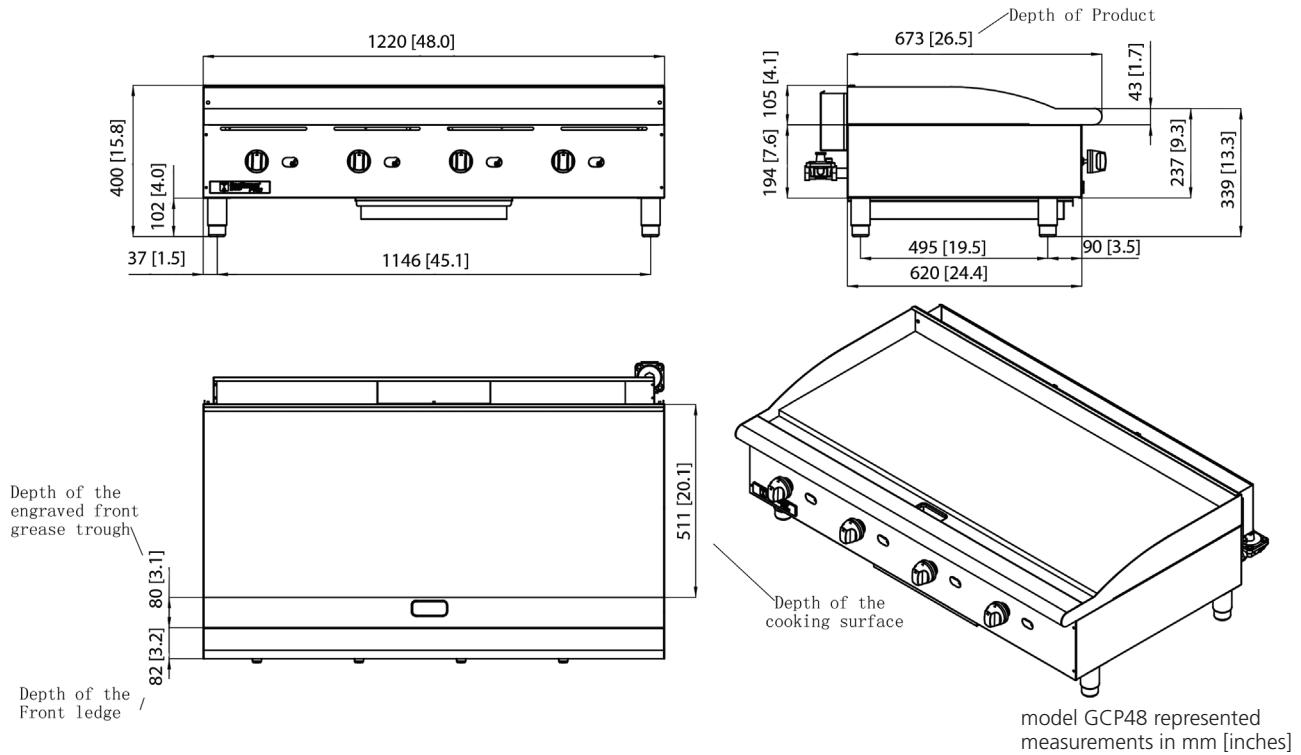
model GCP48

Features

- Sleek, heavy-duty stainless steel construction for long life and easy maintenance
- All models can be operated using natural or LP gas (conversion kit included)
- Manually controlled, independent cooking zones
- Countertop units with 20" depth available in four widths: 15", 24", 36", and 48"
- Griddle plate thickness of 1"
- Bottom-welded plate for accurate heat distribution
- Stainless steel full-cooking depth dual-ported burners
- Easy-access front panel pilot adjustments
- 1¾" sturdy non-marring stainless steel legs
- Ergonomically rounded front bullnose
- Industrial metal knobs

Models & Dimensions

Gas Griddle



Specifications

Model	Cooking Surface (W x D)	No. of Burners	BTUs per Hour	Product Dimensions (H x W x D)	Ship Dimensions (H x W x D)	Ship Weight
GCP15 (6601-1000)	15" x 20" 37.7 cm x 51 cm	1	30,000	15.6" x 15" x 30" 39.6 cm x 38.1 cm x 76.2 cm	19.1" x 18.5" x 32.5" 47 cm x 82.6 cm x 48.5 cm	165 lbs. 74.8 kg.
GCP24 (6601-1001)	24" x 20" 60.6 cm x 51 cm	2	60,000	15.6" x 24" x 30" 39.6 cm x 61 cm x 76.2 cm	19.1" x 28" x 32.5" 71.1 cm x 82.6 cm x 48.5 cm	210 lbs. 95.3 kg.
GCP36 (6601-1002)	36" x 20" 91.1 cm x 51 cm	3	90,000	15.6" x 36" x 30" 39.6 cm x 91 cm x 76.2 cm	19.1" x 40" x 32.5" 101.6 cm x 82.6 cm x 48.5 cm	345 lbs. 156.5 kg.
GCP48 (6601-1003)	48" x 20" 121.6 cm x 51 cm	4	120,000	15.6" x 48" x 30" 39.6 cm x 122 cm x 76.2 cm	18" x 52" x 32.5" 132.1 cm x 82.6 cm x 48.5 cm	360 lbs. 163.3 kg.

