



GAS RANGE IR-2B-24MG-36

Features

- The Ikon Gas Ranges are individual standing pilot
- 2 burner, with a 24" 3/4" griddle plate and oven
- Simple manual controls
- Stainless steel front, back riser, & lift off shelf
- 30,000 BTU top burner (each) & 30,000 BTU oven
- Riser with removable shelf
- 12"x 12" cast iron grates
- Casters are standard with the range
- 3 Position oven rack, 2 racks per oven
- Full pull out crumb tray
- Oven interior door, sides, hearth are porcelain coated
- Available in Natural gas (NG) or Liquid propane (LP)
- A conversion kit is supplied with each unit



IR-2B-24MG-36



IR6B24MG36042722



3560 NW 56th Street
Fort Lauderdale, FL 33309

Tel.: 786.600.4687 / Toll Free: 844.218.8477
Fax.: 786.661.4100



5659 Royalmount Avenue
Montreal, Qc, Canada H4P 2P9

Tel.: 514.737.9701 / Toll Free: 888.275.4538
Fax.: 514.342.3854 / Toll Free: 877.453.8832
sales@mvpgroup.com

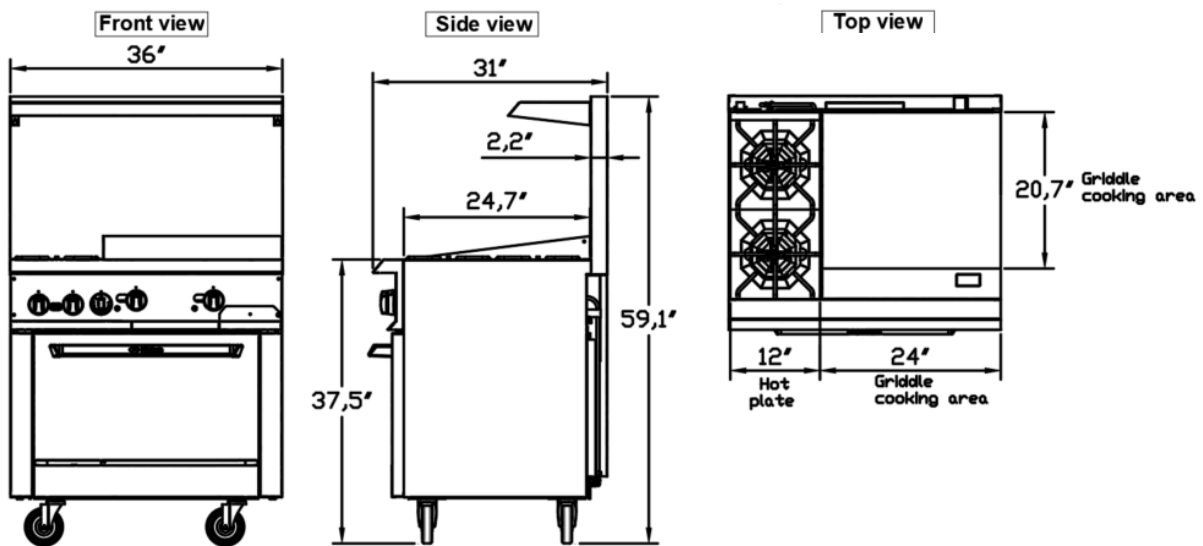


www.mvpgroupcorp.com



GAS RANGE IR-2B-24MG-36

Dimensions in inches



Specifications

Model	Description	Total BTU	KW	Overall Dimensions	Weight	Shipping Dimensions	Shipping Weight
IR-2B-24MG-36	36" Width Range 24" Griddle & (2) Burners (Manual Control)	153,000 NG	45	35.9"W x 31.4"D X 60.2"H (91.2cm x 79.8cm x 153.0cm)	418 lbs	39.8"W x 37"D X 44.1"H (101cm x 94cm x 112cm)	528 lbs
		136,000 LP	40		190 kg		240 kg

GAS REQUIREMENTS

- Natural Gas (NG) or Liquid Propane (LP) Gas main supply required
- A conversion kit is supplied with each unit. In order to avoid any warranty issue, the conversion of your unit must be completed by an authorized Ikon service agent



IR6B24MG36042722



3560 NW 56th Street
Fort Lauderdale, FL 33309

Tel.: 786.600.4687 / Toll Free: 844.218.8477
Fax.: 786.661.4100



5659 Royalmount Avenue
Montreal, Qc, Canada H4P 2P9

Tel.: 514.737.9701 / Toll Free: 888.275.4538
Fax.: 514.342.3854 / Toll Free: 877.453.8832
sales@mvpgroup.com



www.mvpgroupcorp.com